

## NOZZLE PRESSURE TRANSDUCER

MODEL V163-IB, V263-IB, V363-IB

### APPLICATIONS

- ◆ INJECTION MOLDING

### FEATURES

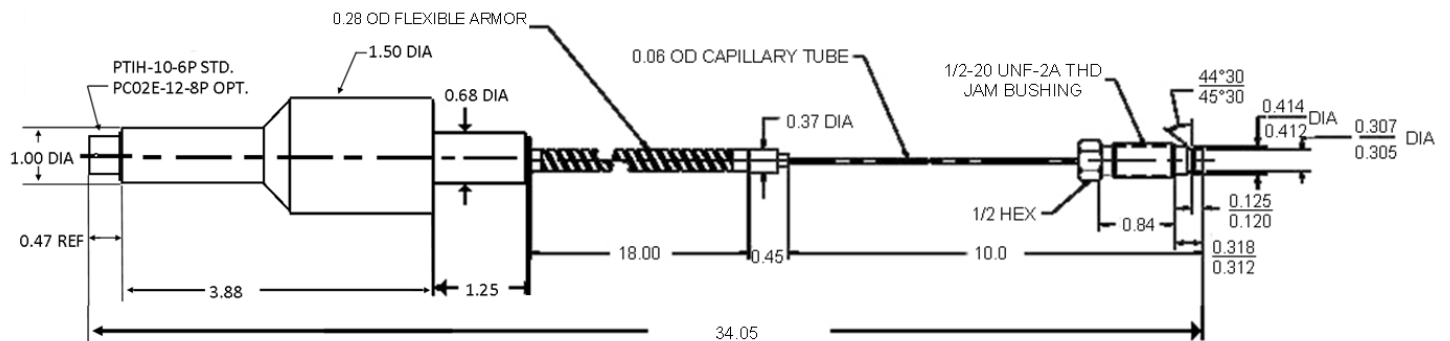
- ◆ FULLY WELDED STAINLESS STEEL CONSTRUCTION
- ◆ INTERCHANGEABLE WITH EXISTING SYSTEMS
- ◆ HIGH-QUALITY, RELIABLE ELECTRONICS
- ◆ VIBRATION PROTECTION
- ◆ AVAILABLE OPTIONS FOR ALL MELT APPLICATIONS
- ◆ IMPROVED DIAPHRAGM FOR INCREASED CYCLES AND REPEATABLE ACCURACY

### PRESSURE RANGES

- ◆ FROM 0-500 THROUGH 0-30,000 PSIG

### ACCURACY

- ◆  $\pm 0.50\%$  FSO, 5,000-30,000 PSI





**SPECIFICATIONS**

FULL SCALE PRESSURE RANGES	SEE ORDERING GUIDE			
ACCURACY STATIC ERROR BAND	(NON-LINEARITY, HYSTERESIS, NON-REPEATABILITY) ±0.50% FSO, 5,000-30,000 PSI			
MATERIAL IN CONTACT WITH PRESSURE MEDIA	17-4 PH STAINLESS STEEL DIAPHRAGM WITH GPX COATING, OPTIONAL DIAPHRAGM MATERIALS AVAILABLE			
PROOF PRESSURE	2 TIMES THE FULL SCALE PRESSURE RANGE UP TO 35,000 PSI			
TEMPERATURE LIMITS	DIAPHRAGM 750°F (400°C)	STRAIN GAUGE HOUSING 176°F (80°C)		
TEMPERATURE EFFECTS	FROM DIAPHRAGM ZERO—15 PSI / 100°F	FROM STRAIN GAUGE HOUSING ZERO / SPAN—LESS THAN ±1.0% FSO / 100°F (±2.0% FSO / 100°C)		
ELECTRICALS		(V163-IB, 3.33 mV/V)	(MODEL V263-IB, 0-10 Vdc)	(MODEL V363-IB, 4-20 mA)
	EXCITATION VOLTAGE	3.5—15 Vdc	14—36 Vdc	14-36 Vdc
	OUTPUT AT 70°F	3.33 mV/V ±2.0% FSO	10.0 Vdc ±2.0% FSO	4-20 mA ±2.0% FSO
	INPUT IMPEDANCE	350 OHM, NOMINAL		
	INPUT CURRENT		8 mA, NOMINAL	
	OUTPUT CURRENT		2.0 mA MAXIMUM FOR ≤ 0.1% FSO ATTENUATION	
	LOAD IMPEDANCE	50,000 OHMS MINIMUM FOR ≤ 0.1% FSO ATTENUATION		1350 OHMS MAXIMUM, AT 36 Vdc AND 750 OHMS 24 Vdc
	ZERO BALANCE	0.0 mV/V ±5.0% FSO AT 70°F	0.0 Vdc ±5.0% FSO AT 70°F	4.0 mA ±5.0% FSO AT 70°F
RANGE CALIBRATION SIGNAL	80% ±5.0% FSO	80% ±5.0% FSO		
CONNECTIONS	PRESSURE 1/2" - 20—UNF—2A	ELECTRICAL PTIH—10—6P STANDARD, 8-PIN AND OTHER CONNECTORS AVAILABLE		
ENCLOSED MATERIALS	316 STAINLESS STEEL			
MOUNTING TORQUE	180-200 INCH POUNDS, 500 INCH POUNDS THREAD LIMITATION			

**ORDERING GUIDE**

Example P/N: V163-IB-RZ-AA

Model: **VX 63—IB—XX—XX / XX / XX / XX / XX**

ELECTRICAL OUTPUT	
1	3.33 mV/V
2	0—10 Vdc
3	4—20 mA

BASE MODEL	
63	Rigid Stem / Flex

BASE MODEL	
IB	1/2-20 UNF 2A Jam Bushing

PRESSURE RANGE			
RH	500 PSI	UV	50 BAR
RJ	600 PSI	UX	75 BAR
RK	750 PSI	UY	100 BAR
RM	1,000 PSI	UZ	150 BAR
RO	1,500 PSI	VA	200 BAR
RR	2,000 PSI	VB	300 BAR
RS	2,500 PSI	VC	350 BAR
RT	3,000 PSI	VD	500 BAR
RV	5,000 PSI	VE	700 BAR
RX	7,500 PSI	VF	750 BAR
RZ	10,000 PSI	UA	1,000 BAR
SB	15,000 PSI	UH	1,400 BAR
SD	20,000 PSI	UB	1,500 BAR
SF	30,000 PSI	UC	2,000 BAR
SZ	_____ PSI Custom	SZ	_____ BAR Custom

CONNECTOR OPTIONS	
AA	6-Pin Bendix (PTIH-10-6P)
CC	8-pin Bendix (PCO2E-12-8P)
CF	1/2" NPT (M) Thread with 36° Leads

CAPILLARY TUBE LENGTH	
AA	18 inch (457.2 mm) Flex
HS	9 inch (228.6 mm) Flex
HY	12 inch (304.8 mm) Flex
HV	24 inch (609.6 mm) Flex
GT	30 inch (762 mm) Flex

RIGID STEM LENGTH	
AA	6 inch (152.4 mm) Rigid Stem
HJ	1 3/16 inch (30.2 mm) Rigid Stem
HD	3 inch (76.2 mm) Rigid Stem
HU	4 inch (101.6 mm) Rigid Stem
GO	9 inch (228.6 mm) Rigid Stem
GN	12.5 inch (317.5 mm) Rigid Stem

DIAPHRAGM OPTIONS	
AA	15—5 Armoloy Coated Diaphragm
GK1	Inconel Coated Diaphragm
GP	Hastelloy C-276 Coated Diaphragm
NK	Reinforced Diaphragm
NL	Double Thick Diaphragm
QS2	Titanium Nitride Coated Diaphragm

FILL TYPES	
AA	Mercury Fill
QJ	NaK Fill (750°F Max)
GW	NaK Fill with Inconel Diaphragm (1000°F)
GX	Mineral Oil Fill (500°F Max)