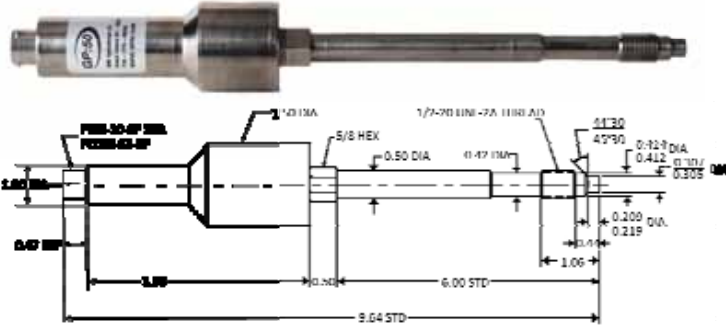


**V-SERIES**

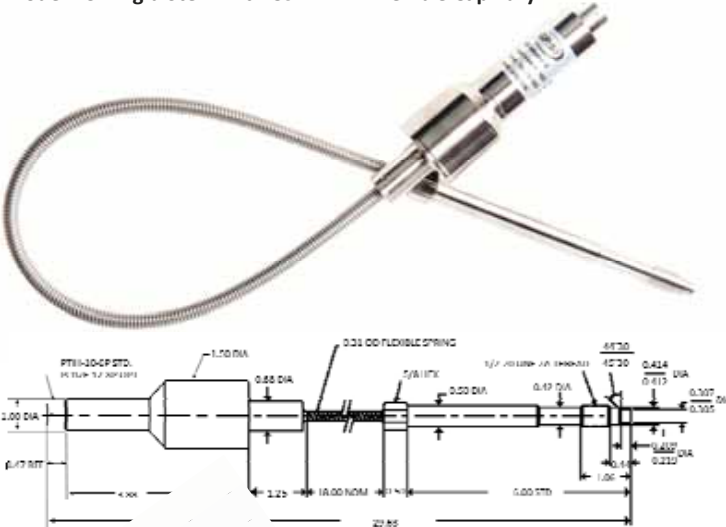
**PREMIUM ACCURACY MELT PRESSURE TRANSDUCER / TRANSMITTER  
MODELS V130, V131, V135 / V230, V231, V235 / V330, V331, V335**

Model V30, Rigid Stem Only

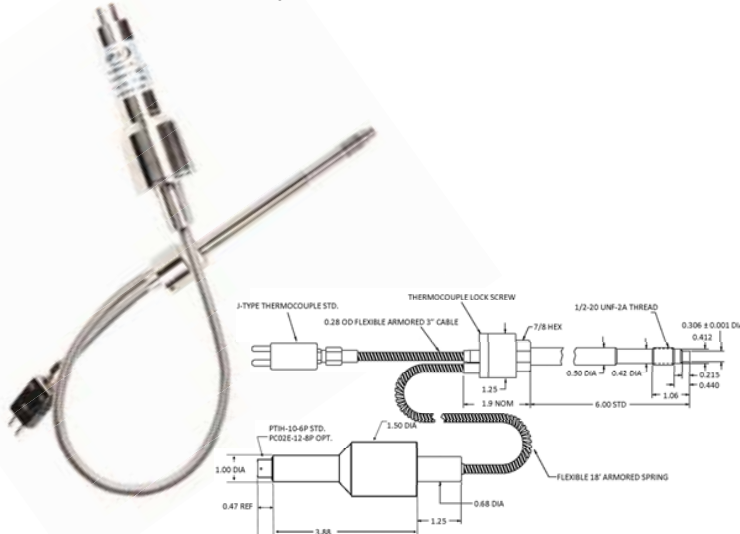


*A signature performance attribute of GP:50 Melt Pressure sensing instrumentation is its capability to maintain full service life performance accuracy. To ensure this, each transducer design incorporates a specialty tip diaphragm with a proprietary advanced matched system. This ensures that individual sensor components maintain structural integrity and maximum response. In addition, each GP:50 Melt Pressure sensor is manufactured from only the highest grade specialty metals. This approach ensures consistent sensor mechanical functionality with increased cycles. It also eliminates the unwanted effects of short-term hysteresis that are common to other industry models.*

Model V31 Rigid Stem with COIL-FLEX™ Flexible Capillary



Model V64 Combination Temperature and Pressure



**FEATURES**

- ◆ Completely Welded Stainless Construction
- ◆ Interchangeable with existing sensors
- ◆ High-quality, superior electronics
- ◆ Vibration Protected Housing
- ◆ Auto Zero calibration option (200 & 300 units)
- ◆ Advanced diaphragm for increased cycles

**PRESSURE RANGES**

From 0-500 to 0-30,000 PSI

(see ordering guide)

**ACCURACY**

±0.25% Premium FSO

**MADE IN THE U.S.A.**

**SPECIFICATIONS**

Full Scale Pressure Ranges	See ordering guide			
Accuracy	±0.25% FSO Accuracy,			
Material in Contact with Pressure Media	17-4 PH Stainless Steel diaphragm with GPX coating, optional diaphragm materials available			
Proof Pressure	2 times the full scale pressure range up to 35,000 PSI			
Temperature Limits	Diaphragm 750°F (400°C)	Strain Gauge Housing 176°F (80°C)		
Temperature Effects	From Diaphragm Zero—15 PSI / 100°F	From Strain Gauge Housing Zero / Span—Less than ±1.0% FSO / 100°F (±2.0% FSO / 100°C)		
Electricals		(V100 Models—3.33 mV/V)	(V200 Models—0-10 Vdc)	(V300 Models—4-20 mA)
	Excitation Voltage	3.5—15 Vdc	14—36 Vdc	14-36 Vdc
	Output at 70°F	3.33 mV/V ±2.0% FSO	10.0 Vdc ±2.0% FSO	4-20 mA ±2.0% FSO
	Input Impedance	350 ohm, nominal		
	Input Current		8 mA, nominal	
	Output Current		2.0 mA maximum for less than 0.1% FSO attenuation	
	Load Impedance	50,000 ohms minimum for less than 0.1% FSO attenuation		1350 ohms max, at 36 Vdc and 750 ohms 24 Vdc
	Zero Balance	0.0 mV/V ±5.0% FSO at 70°F	0.0 Vdc ±5.0% FSO at 70°F	4.0 mA ±5.0% FSO at 70°F
Range Calibration Signal	80% ±5.0% FSO	80% ±5.0% FSO	80% ±5.0% FSO	
Connections	Pressure 1/2" - 20—UNF—2A	Electrical PTIH—10—6P standard, 8-pin and other connectors available		
Enclosed Materials	316 Stainless Steel			
Mounting Torque	180-200 inch pounds, 500 inch pounds thread limitation			

**ORDERING GUIDE**

MODEL: VX 3X—XX—XX / XX / XX / XX / XX / XX / XX / XX

Other Options Available—Consult Factory / Authorized Distributor

Option "AA" denotes standard

ELECTRICAL OUTPUT	
1	3.33 mV/V
2	0—10 Vdc
3	4—20 mA

BASE MODEL	
0	Rigid Stem Only
1	Rigid Stem / Flex
5	Rigid Stem / Flex with Thermocouple

PRESSURE RANGE			
RH	500 PSI	UV	50 BAR
RJ	600 PSI	UX	75 BAR
RK	750 PSI	UY	100 BAR
RM	1,000 PSI	UZ	150 BAR
RO	1,500 PSI	VA	200 BAR
RS	2,500 PSI	VC	350 BAR
RT	3,000 PSI	VD	500 BAR
RV	5,000 PSI	VE	700 BAR
RX	7,500 PSI	VF	750 BAR
RZ	10,000 PSI	UA	1,000 BAR
SB	15,000 PSI	UH	1,400 BAR
SF	30,000 PSI	UC	2,000 BAR
SZ	_____ PSI Custom	SZ	_____ BAR Custom

FILL TYPES	
AA	Mercury Fill
QJ	NaK Fill (750°F Max)
GW	NaK Fill with Inconel Diaphragm (1000°F)
GX9	ASF non-mercury fill

CONNECTOR OPTIONS	
AA	6-Pin Bendix (PTIH-10-6P)
OC	8-pin Bendix (PCO2E-12-8P)
CF	1/2" NPT (M) Thread with 36" Leads

CALIBRATION	
AA	Zero & Span
AZ	AutoZero, 200 and 300 Models only

TEMPERATURE SENSOR OPTIONS	
AA	J-Type Thermocouple
GU	K-Type Thermocouple
JA	100 ohm RTD (3 wire)
JD	Dual Thermocouple, J-Type std. (Mate not incl.)

CAPILLARY TUBE LENGTH	
AA	18 inch (457.2 mm) Flex
HS	9 inch (228.6 mm) Flex
HY	12 inch (304.8 mm) Flex
HV	24 inch (609.6 mm) Flex
GT	30 inch (762 mm) Flex

RIGID STEM LENGTH	
AA	6 inch (152.4 mm) Rigid Stem
HJ	1 3/16 inch (30.2 mm) Rigid Stem
HD	3 inch (76.2 mm) Rigid Stem
HU	4 inch (101.6 mm) Rigid Stem
GO	9 inch (228.6 mm) Rigid Stem
GN	12.5 inch (317.5 mm) Rigid Stem

DIAPHRAGM OPTIONS	
AA	17—4 SS GPX Coated Diaphragm
GK1	Inconel Diaphragm
GP	Hastelloy C-276 Diaphragm
NK	Reinforced Diaphragm
NL	Double Thick Diaphragm
QS2	Titanium Nitride Coated Diaphragm

Example P/N: V131-RZ-AA