



**MELT PRESSURE
TRANSDUCERS & TRANSMITTERS**
300 Industrial Drive, Grand Island, NY 14072 USA
Tel. (716)775-8830 • Fax (716)775-8020 • sales@gp50.com •
WWW.GP50MELT.COM

Product Specification Sheet TORQUE WRENCH—PLASTICS EXTRUSION

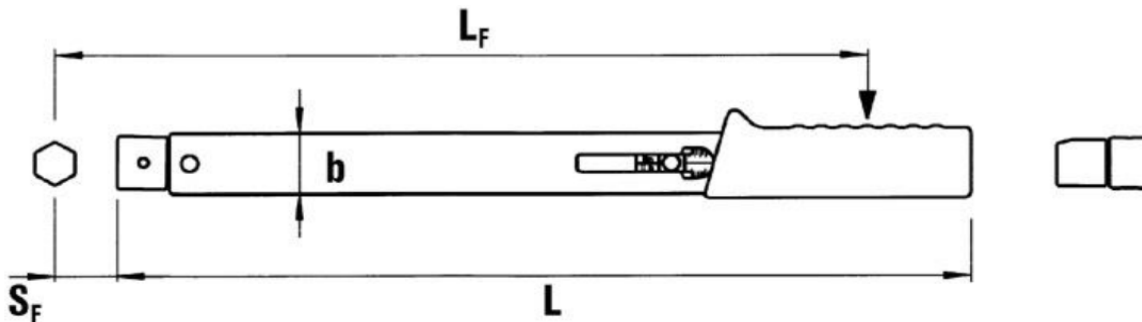
Precision Extrusion Sensor Torque Wrench for the recommended torque of melt pressure and temperature transducers. The TTW-AA is designed to improve transducer accuracy and life expectancy by avoiding unaccounted additional torque to the threads and seat of ½-20 UNF transducers, while also eliminating the possibility of side force trauma to the transducer tip are.



FEATURES:

- Length: 222 mm
- Weight: 395 grams
- Interchangeable 17mm transducer claw with specially designed 6” extension
- QuickRelease Safety lock
- Long-Term accuracy
- Reversible insert/shell tools allow anti-clockwise operation
- Easily Adjustable without disassembly
- Custom Case
- Molded Handgrip
- Calibration Certificate included

- The robust steel tube completely encloses all working parts.
- No need for manual reset to zero: the measuring element is only under load while force is being applied.
- Any force applied to the tool after the “click” or applied in the opposite direction to the current function (forcible loosening of a jammed bolt) does not act on the trigger mechanism and cannot cause damage to the unit.



GP:50 reserves the right to make product improvements and amendments to the product specifications stated throughout this brochure without prior notification. Please contact the factory on all critical dimensions and specifications for verification.