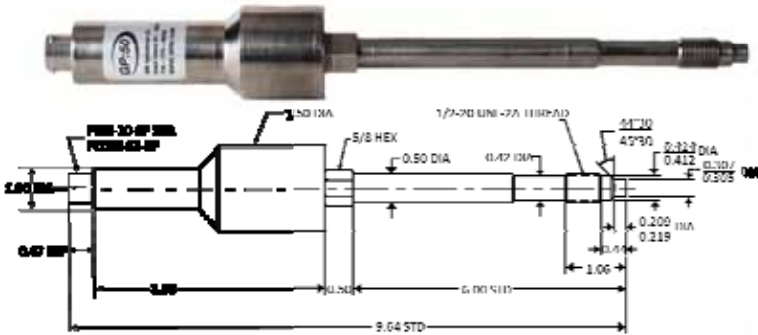




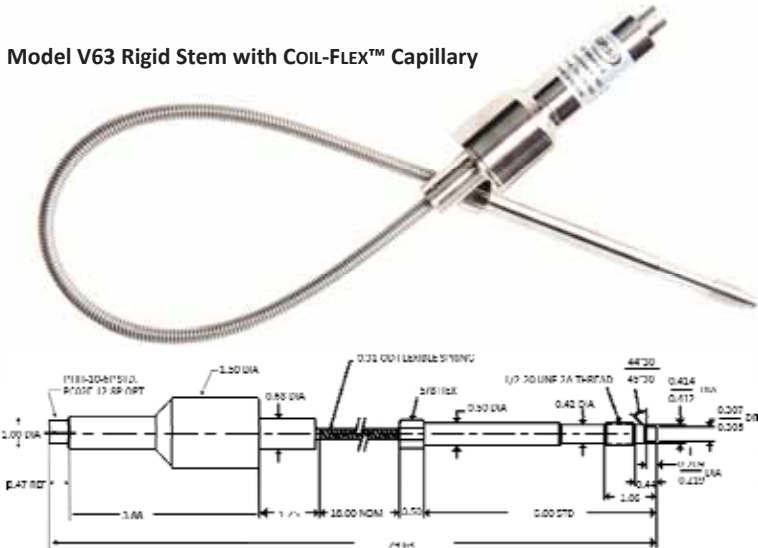
## ASF-V-SERIES

### STANDARD ACCURACY MELT PRESSURE TRANSDUCER / TRANSMITTER MODELS V162, V163, V164 / V262, V263, V264 / V362, V363, V364

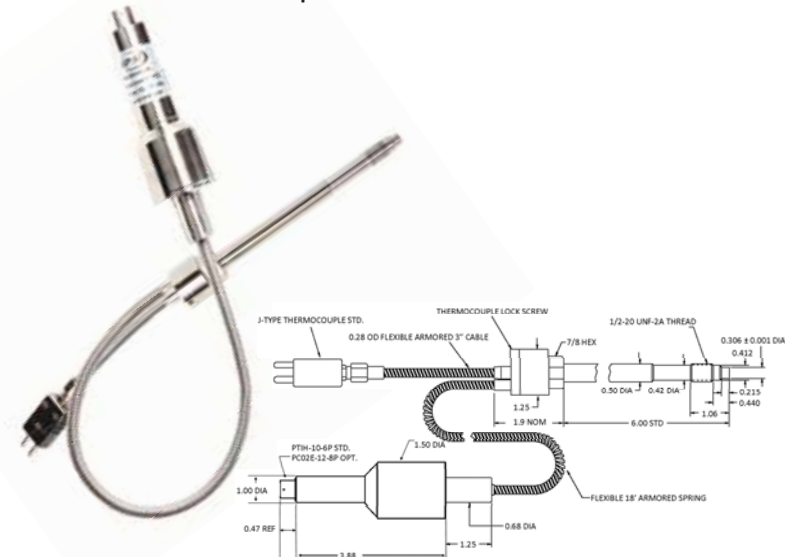
Model V62, Rigid Stem Only



Model V63 Rigid Stem with COIL-FLEX™ Capillary



Model V64 Combination Temperature and Pressure



The GP:50 Melt Pressure Transducer and Transmitters are designed for successful pressure monitoring and control for thousands of melt pressure applications. Our unique design incorporates a matched sensor that features a proprietary tip diaphragm system, which provides superior linearity and increased duration. The design utilizes an extremely small capillary tubing to transmit the media pressure to the strain gage sensor and mating electronics.

### FEATURES

- ◆ ASF (Advanced Safe Fill) material
- ◆ Completely welded stainless construction
- ◆ Interchangeable with existing sensors
- ◆ High-quality, superior electronics
- ◆ Vibration protected housing
- ◆ Auto Zero calibration option (200 & 300 units)
- ◆ Advanced diaphragm for increased cycles

### PRESSURE RANGES

From 0-500 to 0-30,000 PSI  
(see ordering guide)

### ACCURACY

±0.50% Standard FSO

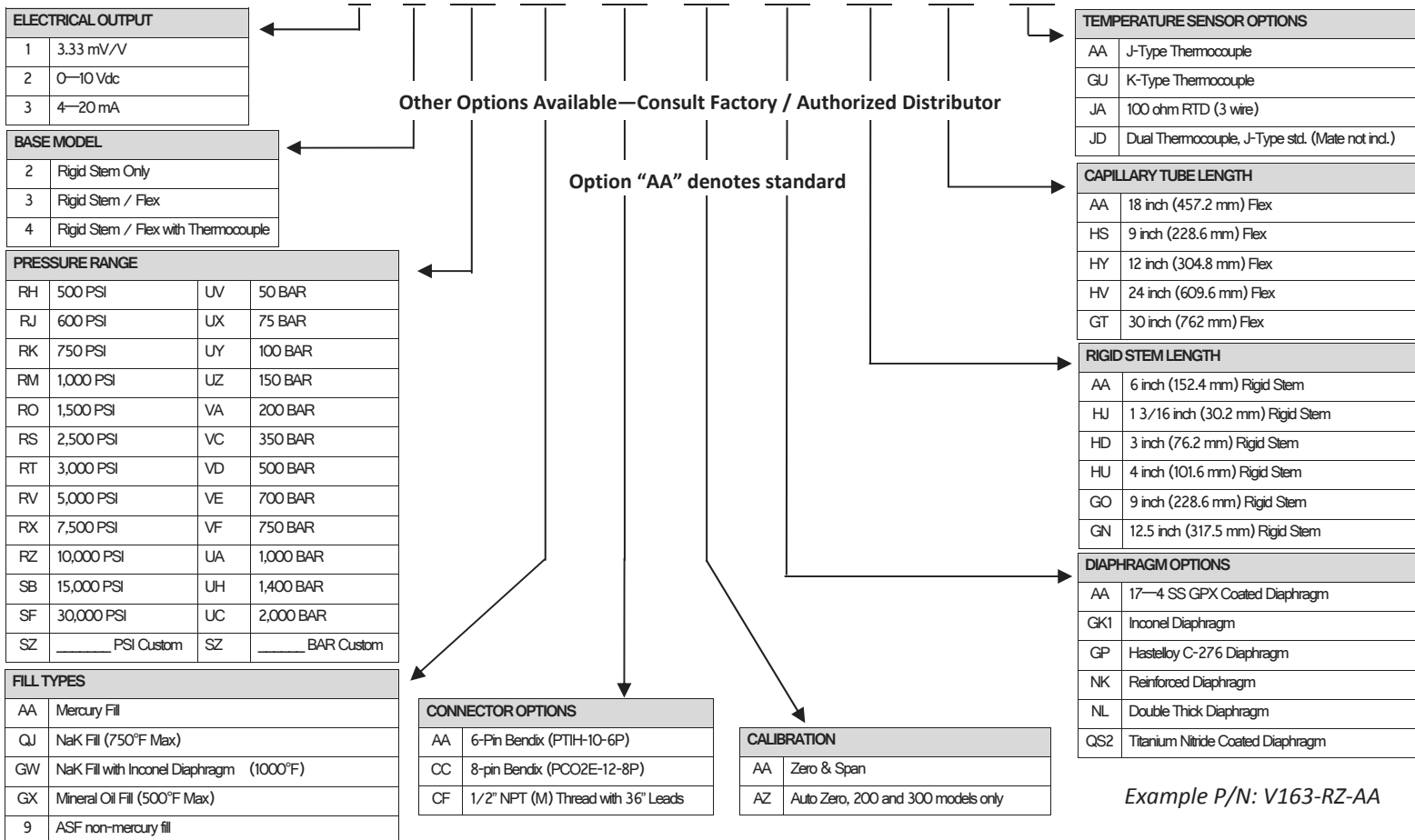
**MADE IN THE U.S.A.**

## SPECIFICATIONS

Full Scale Pressure Ranges	See ordering guide			
Accuracy	±0.50% FSO Accuracy,			
Material in Contact with Pressure Media	17-4 PH Stainless Steel diaphragm with GPX coating, optional diaphragm materials available			
Proof Pressure	2 times the full scale pressure range up to 35,000 PSI			
Temperature Limits	Diaphragm 750°F (400°C)	Strain Gauge Housing 176°F (80°C)		
Temperature Effects	From Diaphragm Zero—15 PSI / 100°F	From Strain Gauge Housing Zero / Span—Less than ±1.0% FSO / 100°F (±2.0% FSO / 100°C)		
Electricals		(V100 Models—3.33 mV/V)	(V200 Models—0-10 Vdc)	(V300 Models—4-20 mA)
	Excitation Voltage	3.5—15 Vdc	14—36 Vdc	14-36 Vdc
	Output at 70°F	3.33 mV/V ±2.0% FSO	10.0 Vdc ±2.0% FSO	4-20 mA ±2.0% FSO
	Input Impedance	350 ohm, nominal		
	Input Current		8 mA, nominal	
	Output Current		2.0 mA maximum for less than 0.1% FSO attenuation	
	Load Impedance	50,000 ohms minimum for less than 0.1% FSO attenuation		1350 ohms max, at 36 Vdc and 750 ohms 24 Vdc
	Zero Balance	0.0 mV/V ±5.0% FSO at 70°F	0.0 Vdc ±5.0% FSO at 70°F	4.0 mA ±5.0% FSO at 70°F
	Range Calibration Signal	80% ±5.0% FSO	80% ±5.0% FSO	80% ±5.0% FSO
Connections	Pressure 1/2" - 20—UNF—2A	Electrical PTIH—10—6P standard, 8-pin and other connectors available		
Enclosed Materials	316 Stainless Steel			
Mounting Torque	180-200 inch pounds, 500 inch pounds thread limitation			

## ORDERING GUIDE

MODEL: VX 6X—XX—XX / XX / XX / XX / XX / XX / XX



Please contact the factory on all critical dimensions and specifications for verification.