

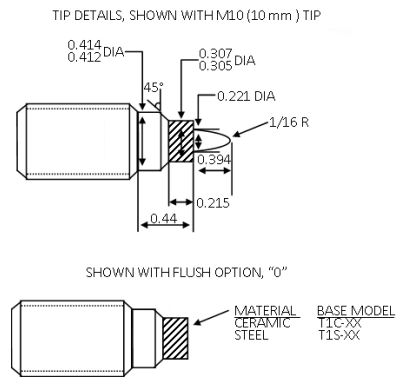
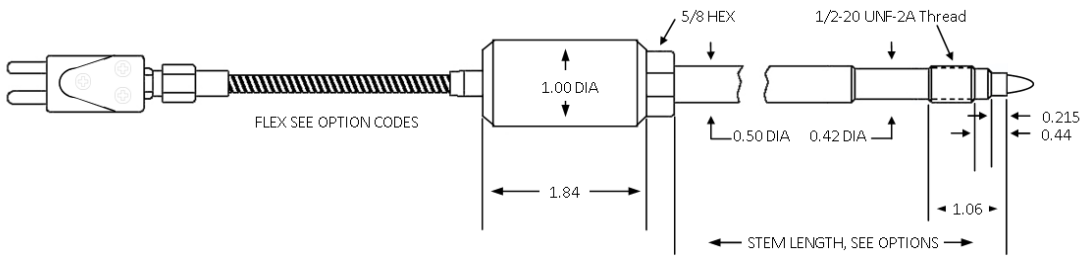
## PRECISION ACCURACY MELT TEMPERATURE SENSOR

### MODEL T1



### FEATURES

- ◆ High-Temperature Construction with advanced Ceramic Insulated sleeve
- ◆ Measures Temperatures up to 750°F



### ORDERING GUIDE

MODEL: T1X-XX-XX-XX / XX / XX / XX XX

BASE MODEL	
C	Ceramic-Isolated Tip
S	Steel Construction

IMMERSION DEPTH / TIP TYPE	
0	Flush
M5	5 mm

SENSOR TYPE	
J	J-Type Thermocouple, Single
J2	J-Type Thermocouple, Dual
K	K-Type Thermocouple, Single
K2	K-Type Thermocouple, Dual
E	E-Type Thermocouple, Single
E2	E-Type Thermocouple, Dual
R2	RTD PT100 2-Wire System
R3	RTD PT100 3-Wire System
R4	RTD PT100 4-Wire System

CONNECTOR	
P	Plug type, Round Pins
M	Mini Plug Type, Flat Pins
E2	2-Socket Lemo Era Connector
E4	4-Socket Lemo Era Connector
CA	4-Pin PTH-8-4P Connector
CM	6-Pin PTH-10-6P Connector

SENSOR TIP MATERIAL	
AA	Standard Stainless Steel
H	Hastelloy C-276
I	Inconel 718

ARMORED CABLE LENGTH	
3	3"
10	10"
18	18"
30	30"

THREAD TYPE	
A	1/2" - 20 UNF-2A Thread
C	M18-1.5 Metric Thread

STEM LENGTH	
3	3" Stem
6	6" Stem
9	9" Stem
12.5	12.5" Stem

Example P/N: T1C-0-J-P/6/A/3