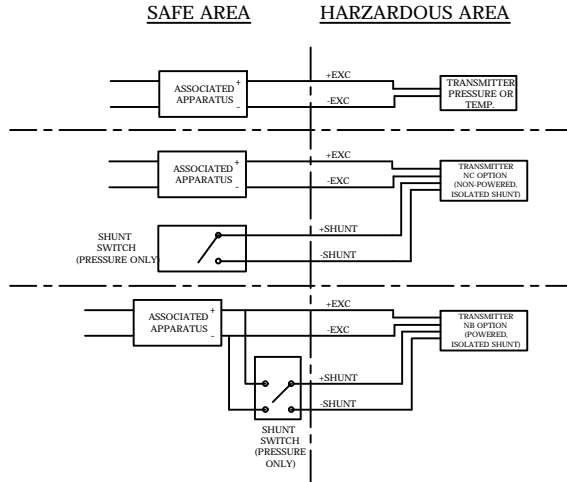
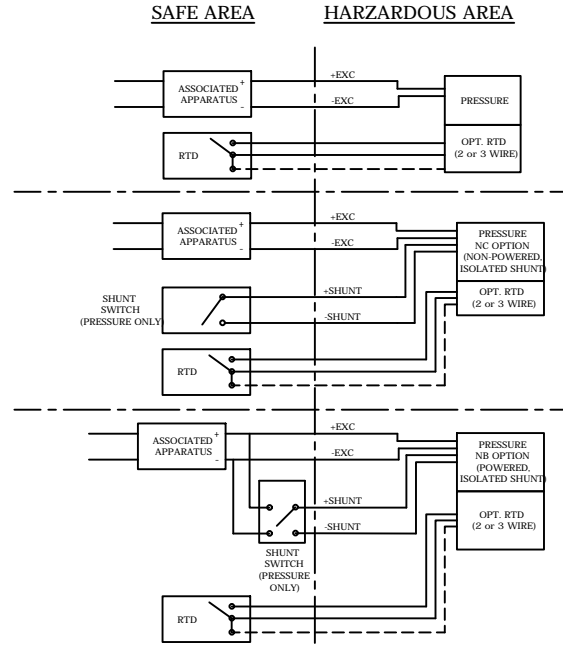


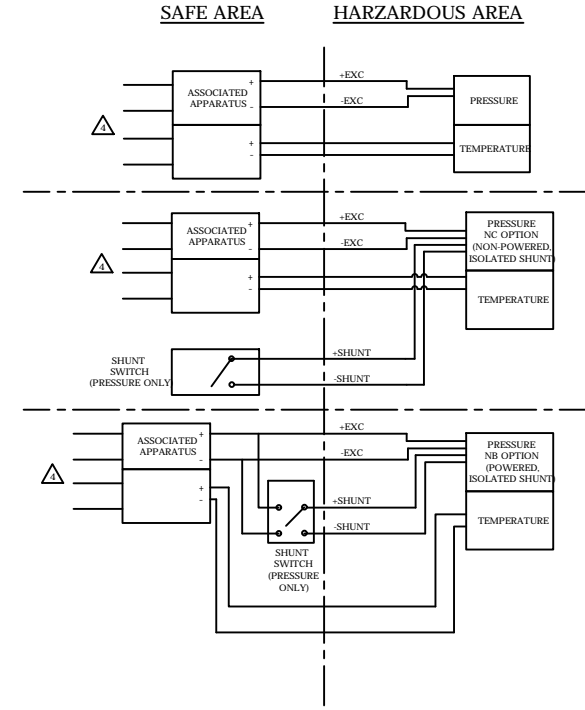
A) PRESSURE OR TEMPERATURE OUTPUT



B) PRESSURE AND RTD



C) AMPLIFIED PRESSURE AND TEMPERATURE



NOTES:

1. INSTALLATION MUST BE IN ACCORDANCE WITH THE CODES AND PRACTICES OF THE COUNTRY IN USE.

2. ASSOCIATED APPARATUS USED FOR THE +EXC/-EXC CIRCUIT MUST HAVE A LINEAR OUTPUT AND BE CERTIFIED WITH THE BARRIER PARAMETERS THAT MEET THE FOLLOWING CONDITIONS:

$$U_o \leq U_i$$

$$I_o \leq I_i$$

$$C_o \leq C_i + C_{cable}$$

$$L_o \leq L_i + L_{cable}$$

3. SHUNT SWITCH OR RTD (WHERE APPLICABLE) WIRING IS NON-INCENDIVE AND IS FOR CONNECTION TO A VOLTAGE FREE CONTACT, OR CERTIFIED RELAY CONTACT BARRIER WITH A VOLTAGE FREE CONTACT.

⚠ CAN BE ONE BARRIER WITH ISOLATED PRESSURE AND TEMPERATURE WIRING OR TWO SEPARATE BARRIERS.

PRESSURE

Ex ic IIC T5 Gc (-40°C < Ta < 85°C)
 Ex nA IIC T5 Gc (-40°C < Ta < 85°C)
 ENTITY PARAMETERS: *
 Ui = 28V
 Ii = 100mA
 Ci = 30nF
 Li = 0
 Pi = 0.7W

NF Option:

Ui = 28V
 Ii = 100mA
 Ci = 20nF
 Li = 0
 Pi = 0.7W

TEMPERATURE

Ex ic Td IIC T5 Gc (-40°C < Ta < 85°C)
 Ex nA Td IIC T5 Gc (-40°C < Ta < 85°C)
 ENTITY PARAMETERS: *
 Ui = 28V
 Ii = 100mA
 Ci = 30nF
 Li = 0
 Pi = 0.7W

NF Option:

Ui = 28V
 Ii = 100mA
 Ci = 20nF
 Li = 0
 Pi = 0.7W

* UNITS ARE ALSO Ex nA IIC AND CAN BE INSTALLED WITHOUT BARRIERS AND PER ZONE 2 INSTALLATION REQUIREMENTS. WHEN INSTALLED AS AN nA DEVICE, ELECTRICAL CONNECTIONS CANNOT BE SEPARATED WHEN DEVICE IS ENERGIZED.

THIRD PARTY AGENCY APPROVAL CODE: AN-S

| REVISIONS | | | |
|-----------|---------|-----|------|
| LET | DATE | BY | ECN |
| - | 4/16/15 | DJH | 1477 |
| | | | |
| | | | |
| | | | |
| | | | |
| | | | |

2770 LONG ROAD
 GRAND ISLAND, NY 14072
 TEL. NO. (716)773-8300 FAX NO. (716)773-5019
 CAGE CODE: ON8Y7

TITLE: ATEX/IEC Ex ic/nA IIC, MODELS 2xx AN/GN

SEE ENGINEERING CHANGE NOTICE (ECN) FOR DRAWING APPROVALS

| | | | |
|-------|----------|-------------|--------------|
| SCALE | MATERIAL | DRAWING NO. | SHEET 1 OF 2 |
| N/A | N/A | 8C1-70.01 | |

